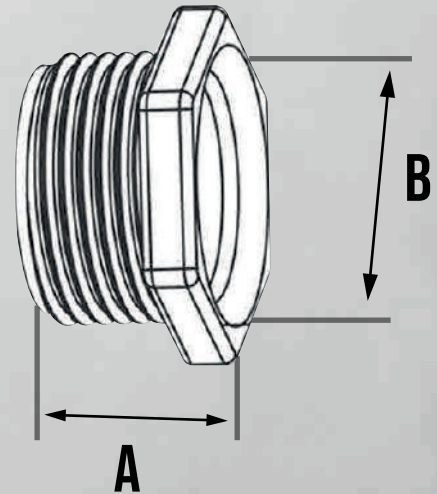


IMC BUSHING REDUCCION CABEZA EXAGONAL



DESCRIPCIÓN

- Úselo para conectar tubo de acero
- Fácil de instalar
- Virola roscada exterior e interior



CAT No.	TAMAÑO DE COMERCIAL	DIÁMETRO		HILO	
		A	B	d	D
JBS 0001 -03/4	1" - 3/4"	20.0	40.5	G 3/4"	G 1"
JBS 0002 -11/2	2" - 1 - 1/2"	23.0	70.0	G 1 - 1/2"	G 2"
JBS 0003 -0003	3" - 3"	38.0	137.0	G 3"	G 3"
JBS 0003 -21/2	3" - 2 - 1/2"	34.0	102.0	G 2 - 1/2"	G 3"
JBS 03/4 -01/2	3/4" - 1/2"	19.0	33.5	G 1/2"	G 3/4"
JBS 11/2 -11/4	1 - 1/2" - 1 - 1/4"	22.0	57.0	G 1 - 1/4"	G 1 - 1/2"
JBS 11/4 -0001	1 - 1/4" - 1"	21.0	50.0	G 1"	G 1 - 1/4"
JBS 21/2 -0002	2 - 1/2" - 2"	30.0	91.0	G 2"	G 2 - 1/2"